

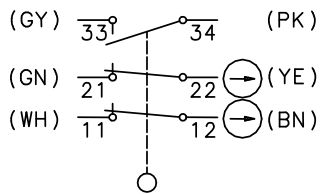
Safety switch

Series Safety Hinge Switch SHS3Z

Description **SHS3Z-U15Z-SA-R**

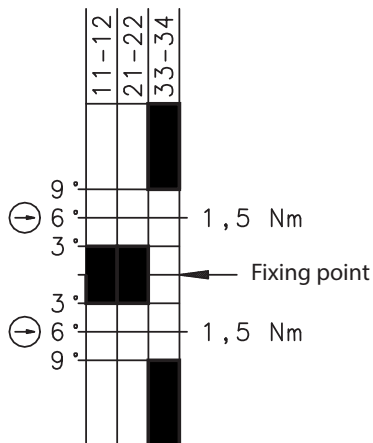
Article number **6019490054**

Operating symbol



The colour allocation refers to the plug-in-cables which we have in our range.

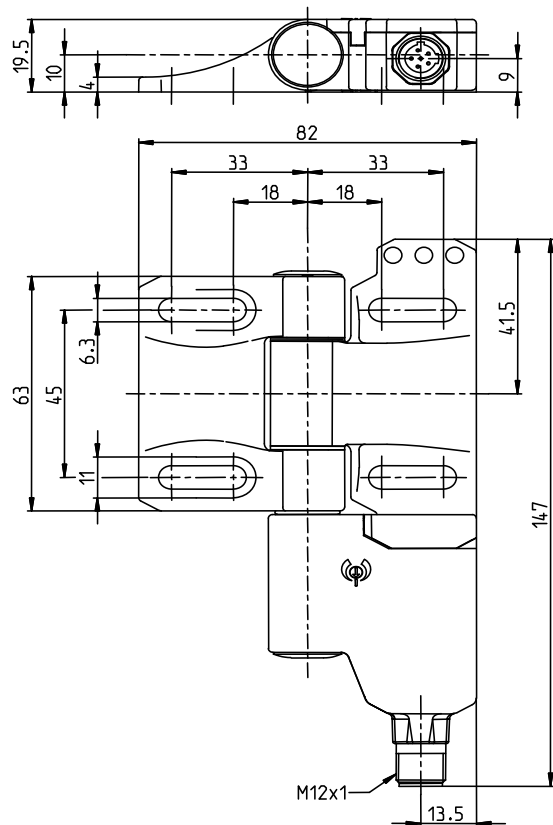
Operating diagram



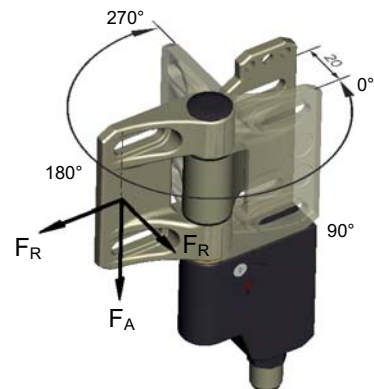
Fixing point in the range 0° ... 270° freely selectable



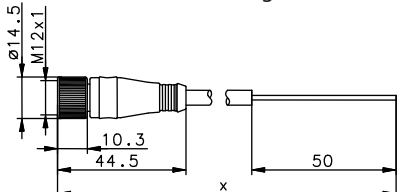
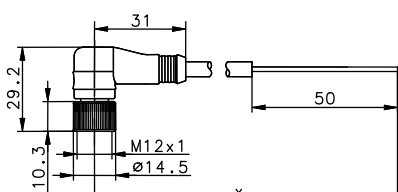
Tolerances:
 switching angle (opening) $\pm 1,5^\circ$;
 direct opening torque 10 % ,
 direct opening angle + 2°



Swivel angle 0° to 270°



Connector M12x1 with jiggle protection and molded cable			
Article number	Description	cable length x	Version
3251006291	AN-KAB.SHS3 2M GERADE	2 m	straight
3251006292	AN-KAB.SHS3 5M GERADE	5 m	straight
3251006293	AN-KAB.SHS3 10M GERADE	10 m	straight
3251006294	AN-KAB.SHS3 2M WINKEL	2 m	angled
3251006295	AN-KAB.SHS3 5M WINKEL	5 m	angled
3251006296	AN-KAB.SHS3 10M WINKEL	10 m	angled

Connector straight	Connector angled
	

Electrical Data		
Rated insulation voltage	U_i	250 V
Conv. thermal current	I_{the}	4 A
Rated operational voltage	U_e	230 V AC; 24 V DC
Utilization category		AC-15, U_e/I_e 230 V / 3 A; DC-13, U_e/I_e 24 V / 1 A
Direct opening action	\ominus	acc. to IEC/EN 60947-5-1, annex K
Short-circuit protective device		Fuse 4 A gG
Protection class		II (totally insulated)

Mechanical data	
Enclosure	PBT
Hinge	zinc die cast / nickel matt
Ambient air temperature	-25 °C to +70 °C (connecting cable permanently mounted; no freezing over / no condensation)
Contact type	Slow make and break contacts 2 N.C., 1 N.O.
Mechanical life	1 x 10 ⁶ operating cycles
Switching frequency	max. 300 switching operations / hour
Attachment	4 x M6 screws DIN EN ISO 7984 (on flat and stiff ground)
Connection type	6-pin connector M12x1 (Dual-Key-Way) Equivalent connecting cable available as accessory
Weight	≈ 0,4 kg
Installation position	operator definable
Protection type	IP 67 in acc. with IEC/EN 60529
Switching angle	+/- 3 ° from fixing point for the N.C. contacts and 9° for the N.O. contact
Forced disconnect angle	6°+2° from fixation point in both directions (for 0°-3° only in Plus-direction, for 267°-270° only in Minus-direction)
Forced disconnect torque	1,5 Nm
Mechanical load (see dimensioned drawing for the introduction direction of the forces)	F_{R1} = max. 1200 N F_{R2} = max. 500 N F_A = max. 1200 N

ID for safety engineering	
B10d	2 x 10 ⁶ cycles

Standards	
	VDE 0660 T100, DIN EN 60947-1, IEC 60947-1
	VDE 0660 T200, DIN EN 60947-5-1, IEC 60947-5-1
	DIN EN ISO 13849-1

EU Conformity	
	acc. to directive 2006/42/EC

Approvals	
	DGUV
	CCC
	cCSA _{US} B300

Notes
<p>The safety guard shall always be mounted using two SHS3Z at least! See max. load. If the risk assessment of the machine permits a single-channel monitoring a blank hinge can be used as bearing element.</p> <p>High forces, unfavourable force application as well as dynamic loads can shorten the service life.</p> <p>In case that the SHS3Z is used at an ambient temperature of 70° an accelerated ageing of the connecting cable can occur.</p> <p>The connecting cable shall be protected against mechanical damages.</p> <p>The installation of the connecting cable can be done via pipes or cable ducts.</p> <p>The manufacturer / supplier of the machine / equipment is obliged to take the applicable standards for the calculation of the safety distances of separating safety guards to hazardous areas into account.</p> <p>Especially these standards apply: DIN EN 349, DIN EN 953, DIN EN ISO 14119, DIN EN ISO 13857,</p> <p>The switch shall not be used as a mechanical stop.</p>